

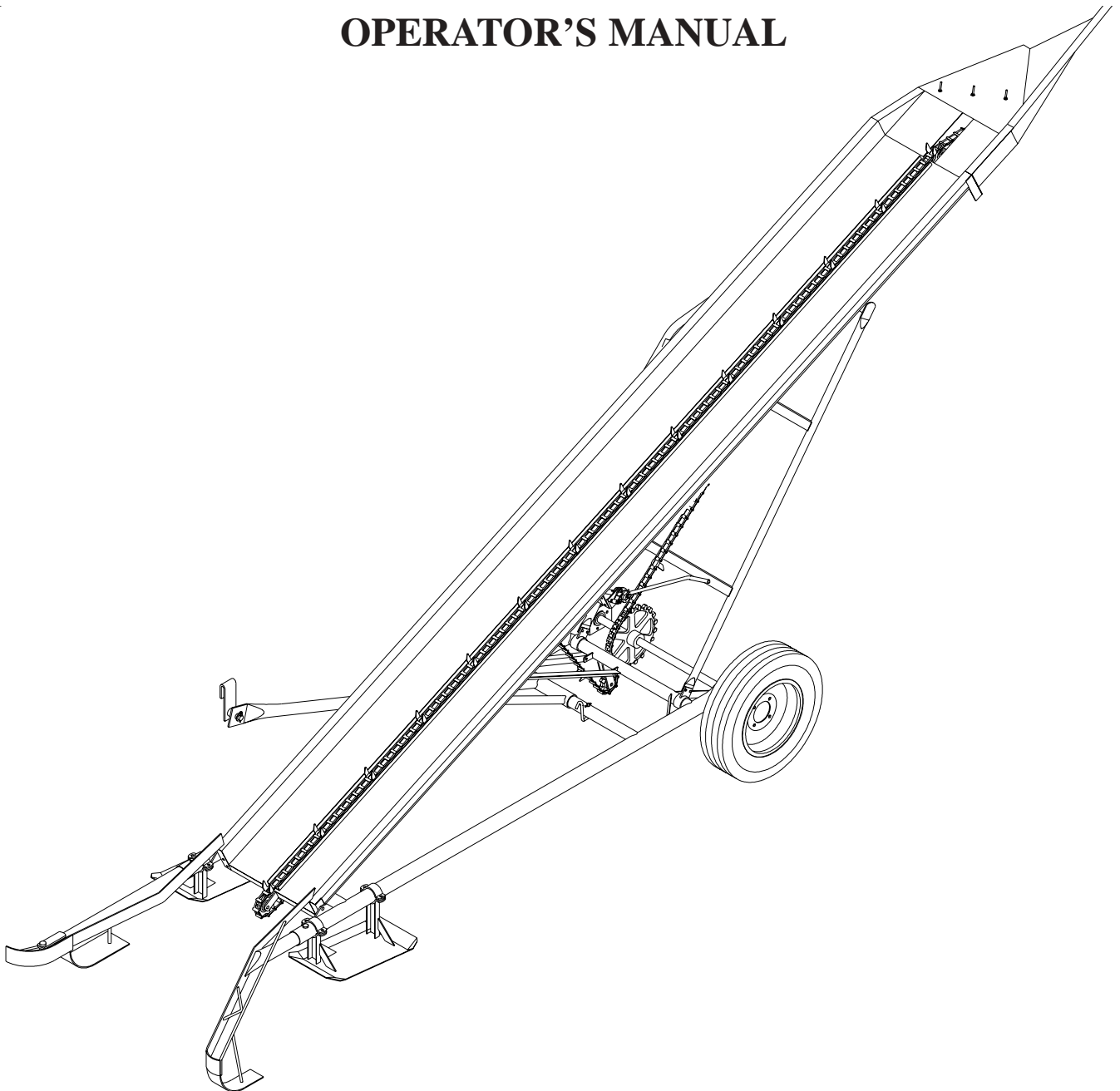
MY-D

HAN-D

DODGE CITY, KANSAS 67801 (620) 225-0263
MFG. CO. INC.

ADJUSTA-HEIGHT BALE ELEVATOR

OPERATOR'S MANUAL



Sept. 2002

Operator Qualifications For Adjusta-Height Bale Loader

Operation of this equipment shall be limited to competent and experienced persons. In addition, anyone who will operate or work around this equipment must use good common sense. In order to be qualified, he or she must also know and meet all other requirements, such as:

1. Some regulations specify that no one under the age of 16 may operate power machinery. It is your responsibility to know what these regulations are in your area or situation.
2. Current OSHA regulations state in part: "At the time of initial assignment and at least annually thereafter the employer shall instruct EVERY employee in the safe operation and servicing of all equipment with which the employee is or will be involved."
3. Unqualified persons are to **STAY OUT** of the work area.
4. A person who has not read and understood all operating and safety instructions is not qualified to operate the machinery.

Failure To Read This Manual And Its Safety Instructions Is A Misuse Of The Equipment.

SIGN OFF SHEET

As a requirement of OSHA, it is necessary for the employer to train the employee in the safe operation and safety procedures with this equipment. We include this sign off sheet for your convenience and personal recordkeeping.

Date	Employer's signature	Employee's signature

Limited Warranty

All My-D Han-D Mfg. Co. Inc. products have been manufactured from the very finest material and by skilled workmen, therefore, My-D Han-D Mfg. Co. Inc. guarantees its products against defective workmanship and material under normal and reasonable use for a period of ONE (1) year, after the date of delivery, to the original purchaser.

This warranty is not a service guarantee, nor is it any assurance that the product is perfectly designed or perfectly built; neither is it an expression of any belief that the product cannot be improved. Further, this warranty is not a guarantee against hazards such as wear, tear, misuse or misfortune nor against problems arising from incorrect set-up or servicing and is not a guarantee that the performance will meet the expectations of the purchaser.

This warranty is void should the product be repaired or modified in any way not authorized by My-D Han-D Mfg. Co. Inc.

There is no other express warranty, implied warranties, including those of merchantability and fitness for a particular purpose other than the extent permitted by law any and all implied warranties are excluded. This is the exclusive remedy, and liability for consequential damages under any and all warranties are excluded to the extent exclusion is permitted by law.

Components will carry only their respective manufacturer's warranty. This warranty does not cover any merchandise which, in the opinion of the company, has been subject to negligent handling, misuse, or accident.

Our obligation under this warranty is limited, however, to furnishing a replacement part for the defective part, or at our option to repairing the defective parts without charge, either method F.O.B. our works, provided the consumer gives My-D Han-D Mfg. Co. Inc. written notice within ten (10) days after said part appears to be defective and affords My-D Han-D Mfg. Co. Inc. opportunity to inspect. Unless otherwise expressly agreed to by My-D Han-D Mfg. Co. Inc. the consumer shall bear the expense of installation.

My-D Han-D Mfg. Co. Inc., reserves the right to make changes, improvements, and modifications at any time without incurring the obligation to make such changes, improvements, and modification on any products sold previously.

My-D Han-D Mfg. Co. Inc. will not be responsible or liable in any event for any loss of production, profits, downtime, delays, accidents, or expenses, or for any other special, indirect or consequential damages.

MY-D HAN-D MFG. CO. INC.
10881 McARTOR ROAD
Dodge City, Kansas 67801

(620) 225-0263

	<u>Page Index</u>
Inside Cover - Operator Qualifications & Warranty	
1-2	Safety Instruction
2	Transport Instructions Chain Routing Diagram Trouble Shooting
3	Assembly Procedure
4-5	Parts List

!! BE CAREFUL !!!

1. Keep all shields in place.
2. Stop machine to repair or clean.
3. Keep hands, feet and clothing away from power driven parts.
4. Keep off of machinery unless a platform is provided. Do not crawl on equipment.
5. When equipment becomes disabled, disconnect power before attempting repairs.
6. Do not allow children to play near the equipment.

**BE A SAFE OPERATOR
BY THINKING-BEFORE ACTING
AND
BY READING YOUR OPERATORS MANUAL.
AVOID ACCIDENTS**

A careful operator is the best insurance against an accident. Most accidents, whether they occur in industry, on the farm, at home or on the highway, are caused by the failure of some individual to follow simple and fundamental safety rules or precautions. For this reason most accidents can be prevented by recognizing the real cause and doing something about it before the accident occurs.

Regardless of the care used in the design and construction of any type of equipment, there are many conditions that cannot be completely safe guarded against without interfering with reasonable accessibility and efficient operation.

The complete observance of one simple rule would prevent many thousand serious injuries each year. That rule is: never attempt to clean, oil, or adjust a machine while it is in motion!

Watch for this symbol.  **It points out important safety precautions, it means**

 **“ATTENTION - BECOME ALERT!” YOUR SAFETY IS INVOLVED.** 

Occupational safety is of prime concern to the members of the AUGER AND ELEVATOR MANUFACTURERS COUNCIL. This manual was written with the safety of the operator and the others who come in contact with the equipment as our prime concern. The manual presents day to day work problems encountered by the operator and other personnel. We wrote this manual to help you understand safe-operating procedures for the equipment listed in the following pages. We want you as our partner in safety.

It is your responsibility as an owner, operator or supervisor to know and instruct everyone using this bale elevator at the time of initial assignment and at least annually thereafter, of the proper operating instructions, precautions and work hazards which exist in the operation of this elevator in accordance with OSHA regulation 1928.57.

The annual statistics of the national safety council show that many people die or suffer serious injury in needless farming accidents every year

 **SAFETY IS NO ACCIDENT** 

The following safety instructions, combined with common sense, will save your equipment from needless damage and the operator from unnecessary exposure to personal hazard. Pay special attention to the caution notes in the text. Review this manual at least once each year with new and/or experienced operators.

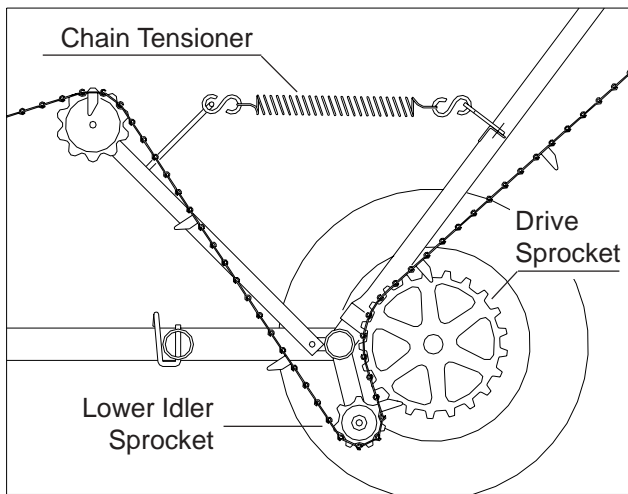
Do not allow anyone to climb on the elevator when not in use, it can tip over resulting in serious injury.

 **TRANSPORT SAFETY** 

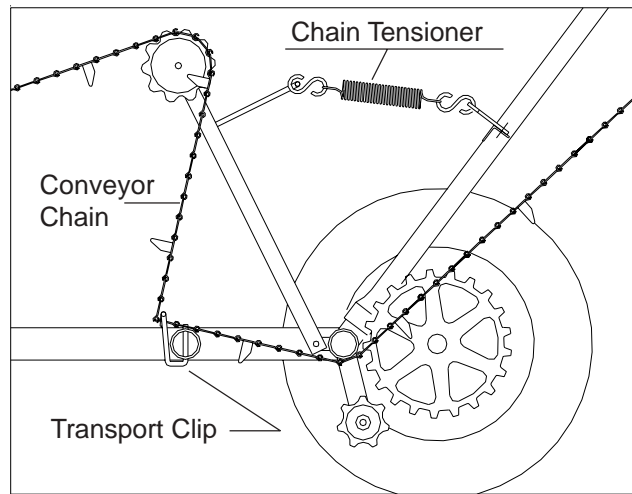
1. Keep children away from the Bale elevator when transporting and when preparing to transport.
2. Remove the outer pick-up guide before towing on the road.
3. When towing on a public road, safety chain the Bale elevator to the towing vehicle.
4. Periodically check for wear on the bolt holding the inner pick-up guide to the main undercarriage.

 **OPERATION SAFETY** 

1. Keep loose clothing away from moving parts when Bale elevator is in use.
2. When in use, make certain the Bale elevator is securely anchored to the towing vehicle.
3. The operator of the towing vehicle must have visual sight of the Bale handler.
4. Stop the towing vehicle before attempting to dislodge any foreign material entangled in the conveyor chain.

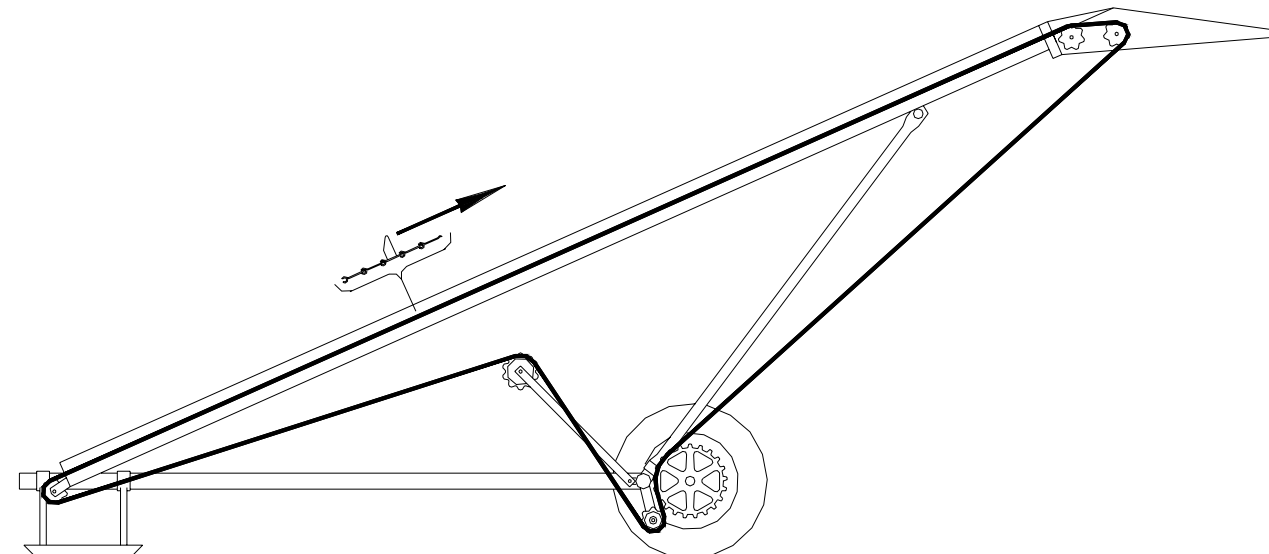


Engaged For Field Use



Disengaged For Transport

Caution! Before transporting the Adjusta-Height bale loader loosen the chain tensioner and remove conveyor chain from drive sprocket and lower idler sprocket. Hook conveyor chain under transport clip and re-tighten chain tensioner.



Chain Routing Diagram

TROUBLE SHOOTING	
Bales tend to bounce off Conveyor	Deflate tires to 9-10 pounds
Skids dig into ground on turns	Adjust clamps which hold Skids to Undercarriage so that Skids are setting flat or tilted slightly up at the outside edges.
Right Pickup running into tractor tire when loader is used on wagon.	Hook Loader further back on wagon. If this cannot be done, use Wagon Tongue Extension. Also use Snubber Chain to couple rear of Loader to wagon.
Bale Rack extends past rear of truck bed or wagon bed	Check to see that Loader is hooked as far forward as possible. If this does not remedy, use Bumper Hitch on pickup trucks and short bed trucks. Use Short Bed Hitch for wagons.
Winch Cable breakage	Check to see if installed correctly (See step 17 in setup instructions). Also for high speed transporting make sure Conveyor is lowered against stops.
Bales jam or wedge between Pickups	Maneuver Loader to right so that bales are turned and guided into Conveyor with Left Pickup

Note: all assembling will be done with 3/8" x 1" machine bolts with locknuts unless otherwise indicated. Some bolts, cotter pins, etc. Are factory assembled to parts and, of course, should be used to attach that particular part.

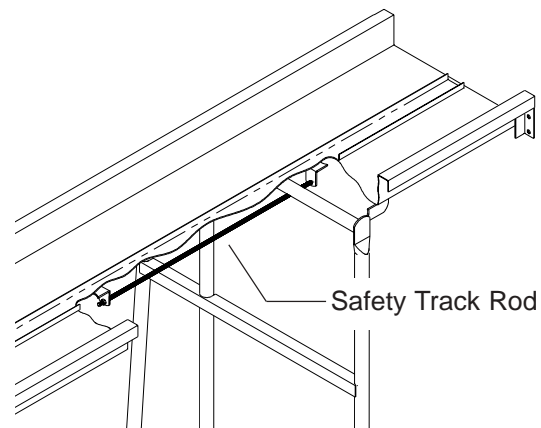
References to "Right" & "Left" is determined by standing at the intake end of the elevator and facing the direction the machine travels through the field.

1. Insert axle (35) through bearing (14) on left side of undercarriage (1) then through drive sprocket (36). Now insert axle through the bearing on the right side of the undercarriage and attach the removeable hub (38). Tighten both setscrews in each axle bearing.

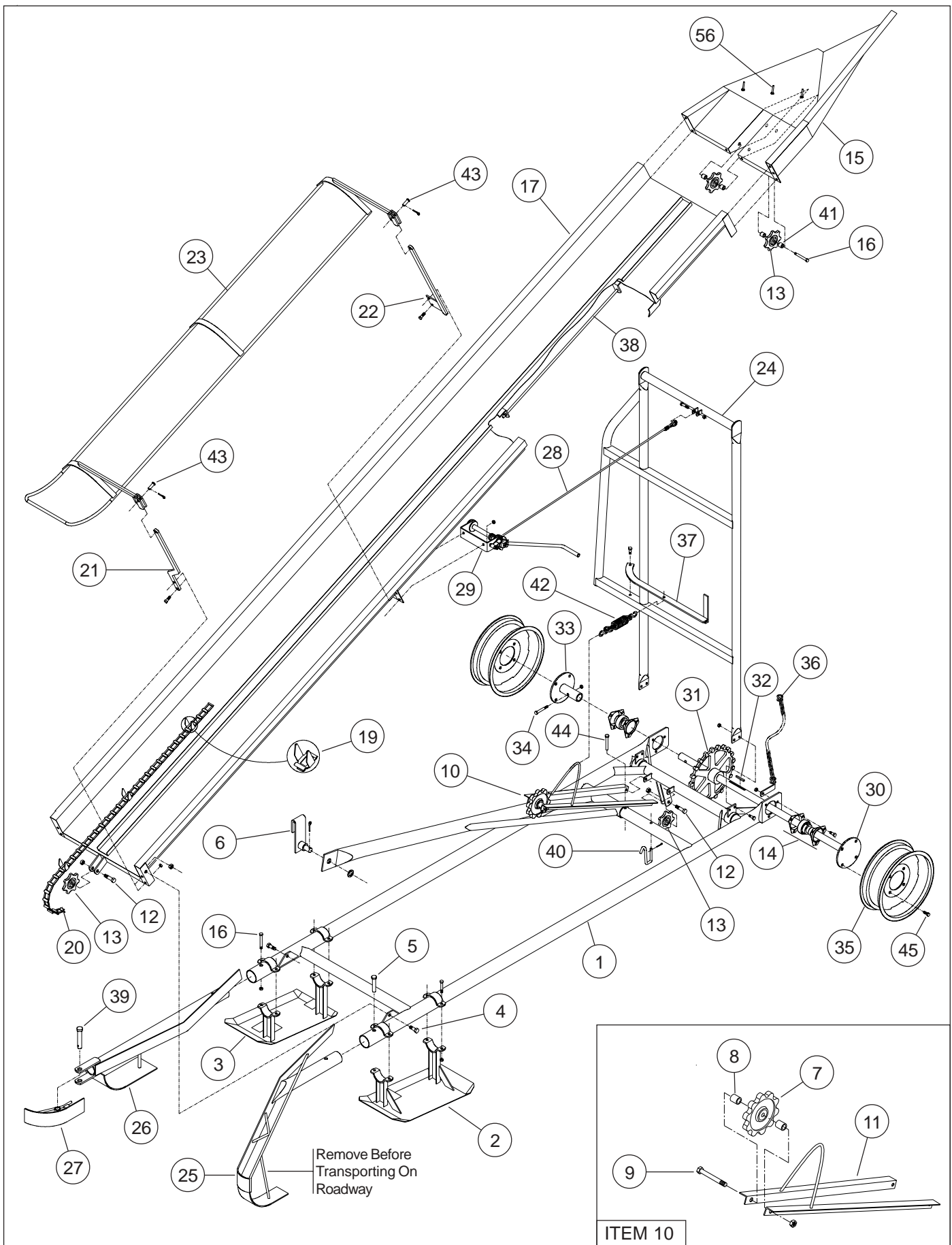
Note: The right side of the loader is next to truck.

2. Mount tires to wheels (40). Inflate tires to 9 -10 pounds, 12 pounds maximum. Mount wheels to axle using eight 1/2" wheel bolts (51).
3. Mount skids (2) and (3) to the undercarriage (1), using the eight 3/8" x 2-1/4" bolts.
4. Mount conveyor support (29) between pivot clips on undercarriage.
5. Remove safety track rod (45) from conveyor (18).
6. Bolt lower end of conveyor (18) to undercarriage (1), using the two 1/2" x 1" bolts with locknuts.
7. With conveyor (18) resting on conveyor support (29) and top shaft against stops on conveyor, reinstall safety track rod (45).
8. Attach engagement lever (44) to conveyor support (29).
9. Attach floating idler assembly (10) to undercarriage.
10. Attach chain tensioner assembly (49) to the engagement lever (44) and floating idler assembly (10).
11. Install idler sprocket (13) at rear of undercarriage.
12. Attach bale rack assembly (15) to upper end of conveyor (18).
13. Install sprocket (13), at lower end of conveyor (18).
14. Install conveyor chain assembly (21).
15. Now go back to the drive sprocket (36), and align with fixed idler sprocket (13). Install 1/4" square Key (37), and tighten both setscrews.

16. Attach winch (34), and rear float post (23), to conveyor (18). (outside bolt of winch also serves as bottom float post mounting bolt).
17. Attach cable (33), to top shaft of conveyor support (29), by placing a bolt through the clevis and cable eye.
18. Attach cable to winch (34), by extending approximately 4" through hole in crankshaft. Now lay flat against crankshaft and start turning crank.
19. Attach front float post (22), to conveyor (18).
20. Mount bale float (28), on the two float posts (22) & (23).
21. At front crossmember of undercarriage (1), remove pin (50), from side arm sleeve, slide side arm to extreme right and reinstall pin in hole at edge of side arm sleeve. Install transport clip (43), in crossmember hole where side arm was previously pinned.
22. Attach side arm clip (6), to side arm.
23. Attach clevis guard (32), to right pickup (31).
24. Remove 3/8" x 1-1/4" bolt from left axle bearing and install snubber chain assembly (41).



Safety Track Rod Must Be Installed To Keep Bale Elevator Pan In Place On The Undercarriage.



Item No.	Part No.	Old Part No.	Description	Qty.	Weight
1	551101	7A1	Undercarriage	1	85.0
	551119	7A1A	Undercarriage w/ Flangette Bearings	1	87.1
2	551127	7A2	Left Skid	1	15.0
3	551135	7A3	Right Skid	1	15.0
	551143	A3-l	Replacement Weld On Skid Plat	2	10.0
4	551150	A4	Conveyor Pivot Bolt w/ Lock Nut 1/2" X 1" Bolt	2	0.2
5	551168	A5	Pickup Pin 1/2" X 3"	1	0.3
6	551176	A8	Side Arm Clip w/ Washer & Cotter Pin	1	3.2
7	551184	A9	Floating Idler Sprocket, 10-Tooth	1	1.1
8	551192	A10	Floating Idler Spacer	2	0.1
9	551200	A11	Floating Idler Shaft w/ Nut	1	0.4
10	551218	7A121A	Floating Idler Assembly (Also Includes 551549 Assembly)	1	8.5
11	551226	7A12	Floating Idler Arm Only	1	4.1
12	551234	A13	Idler Shaft w/ Nut	2	0.3
13	045070	A14	Idler Sprocket, 7-Tooth	4	1.2
14	551242	A15	Axle Bearing w/ Flanges	2	1.5
15	551259	9A16	Bale Rack Weldment	1	31.8
	551267	9A16A	Bale Rack, Complete w/ Idler Sprocket Assembly	1	34.3
16	551275	9A19	1/2" x 3-1/2" HHCS (Top Conveyor Sprocket Shaft)	3	0.4
17	551283	71A20	Conveyor Pan Weldment w/ Safety Track Rod	1	131.4
18	551291	71A20-16	Replacement Chain Track	1	12.0
19	551317	A25	Conveyor Chain Spike Link (No. 62HB4)	AR	0.3
20	551309	9A25A	Conveyor Chain Assembly	1	29.8
21	551333	A27	Front Float Post w/ Float Pin	1	2.4
22	551341	A27-1	Rear Float, Post w/ Float Pin	1	3.5
23	551358	A28	Bale Float	1	19.7
24	551366	9A29	Conveyor Support	1	38.0
25	551374	A30	Left Pickup	1	19.0
26	551382	A31	Right Pickup	1	20.2
27	551390	A32	Clevis Guard Complete w/ Clevis Pin & Spring Cotter	1	3.2
28	551408	7A33	Winch Cable	1	0.8
29	551416	A34A	Winch Assembly w/ Bolts	1	4.6
30	551424	A37	Axle W/ Wheel Bolts	1	17.5
31	551432	A38	Drive Sprocket w/ Key	1	6.1
32	551440	A39	Drive Sprocket Key	1	0.5
33	1551457	A40	Hub W/ Bolts & Pin	1	3.7
34	551465	A41	Axle Pin 3/8" X 2-3/4"	1	0.3
35	551173	72A42	15" Wheel 4-Bolt	2	15.5
36	551481	A43A	Snubber Chain Assembly - Complete	1	3.0
37	551499	9A45	Chain Engagement Lever	1	2.1
38	551507	7A46	Safety Track Rod	1	1.0
39	551515	A47	Clevis Pin w/Spring Cotter	1	0.8
40	551523	9A48	Transport Clip w/Cotter Pin	1	0.6
41	551531	9A49	Spacer Bushing	4	0.5
42	551549	9A50A	Chain Tensioner Assembly	1	1.5
43	551556	8A53	Float Pin	2	0.1
44	551564	7A54	Undercarriage Pin	1	0.2
45	551572	A55	Wheel Bolt 057521 1/2" X 20NF	8	0.2
46	551580	PLDC62	No.62 Chain / Per Link	219	0.2