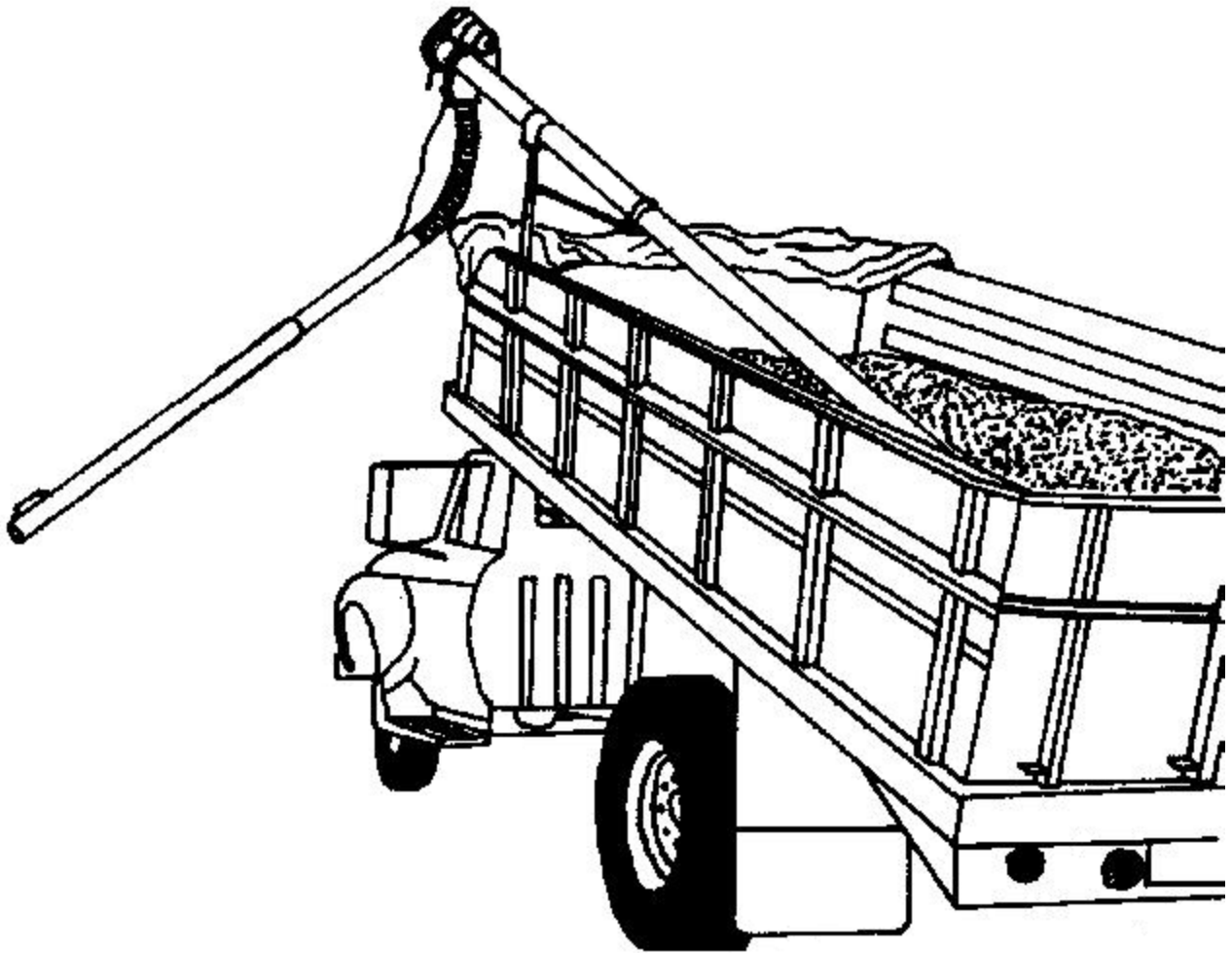


# MY-D HAN-D

MFG. CO. INC.  
DODGE CITY, KANSAS 67801 (620) 225-0263

## 4" Electric Truck Auger

### Owners Manual



August 2002

The Farm And Industrial Equipment Institute  
Safety Alert Symbol



## BE ALERT!

Your Safety is Involved

### Be A Safe Operator By Thinking-Before Acting And

### By Reading Your Operators Manual Avoid Accidents

Most Accidents, Whether They Occur In Industry, On The Farm, At Home Or On The Highway, Are Caused By The Failure Of Some Individual To Follow Simple And Fundamental Safety Rules Or Precautions .For This Reason Most Accidents Can Be Prevented By Recognizing The Real Cause And Doing Something About It Before The Accident Occurs.

Regardless Of The Care Used In The Design And Construction Of Any Type Of Equipment, There Are Many Conditions That Cannot Be Completely Safe Guarded Against Without Interfering With Reasonable Accessibility And Efficient Operation.

### **A Careful Operator Is The Best Insurance Against An Accident.**

The Complete Observance Of One Simple Rule Would Prevent Many Thousand Serious Injuries Each Year. That Rule Is: Never Attempt To Clean, Oil, or Adjust A Machine While It Is In Motion!



## ! SAFETY IS NO ACCIDENT !

Watch for this symbol throughout the operator's manual to point out important safety precautions.



## CAUTION

1. Read and understand instruction manual before operating.
2. Keep all shields and safety devices in place.
3. Make certain everyone is clear before operating machine.
4. Keep hands, feet and clothing away from power driven parts.
5. Disconnect power before attempting repairs or cleaning.
6. Secure the Auger mounting bracket to truck bed before turning on power.
7. Do not allow children to play near the equipment.

## Table Of Contents

Safety Is No Accident.....	Inside Front Cover
Table Of Contents .....	1
Receipt Of Order.....	1
Specifications .....	1
Assembly Instructions .....	1-2
Maintenance Check List .....	3
Instructions For Ordering Parts .....	3
Limited Warranty .....	3
Illustrated Parts List And Drawing .....	4-5

Study this entire manual and familiarize yourself with the different parts of the My-D Han-D Truck Auger and their particular functions.

File this manual in a safe and convenient place for easy reference. Make it your guide for operating, lubricating and servicing your truck auger.

Careful observance of these instructions can add to the life of your truck auger parts and assure satisfactory performance.

## Receipt Of Order

Upon receipt of order, check all parts against the packing list and examine for any evidence of damage. Notify the carrier and the distributor the auger was ordered from immediately of any discrepancy. Consignee must file claim for loss or damage with the delivering carrier.

## Specifications

Length:	11' And 16'	Auger Bearing:	5/8" Press Fit Bearing
Tube Diameter:	4" Dia. X 16 Ga. Galvanized	Type Of Drive:	12 Volt Electric
Auger Shaft:	5/8" Dia. CRR	Capacity:	5 To 6 Bushel Per Minute. {Dry Wheat}
Flighting:	3-1/2" 14 Ga.		

## Assembly Instructions

Pre-Assembly Notes: You have received your truck auger in four (4) bundles. The parts carton (part no. 884197), spout bundle (part no.899088), stand bundle (part no.899096) and the tube bundle (part no.899005) for the 11' model or (part no.899013) for the 16' model. They are tagged respectively. It will be easier for you to understand the following assembly instructions if you remove and identify the parts by part number and description, in the parts carton and stand bundle.

There are no special tools required to assemble this unit, but it does require a set of standard hand tools.

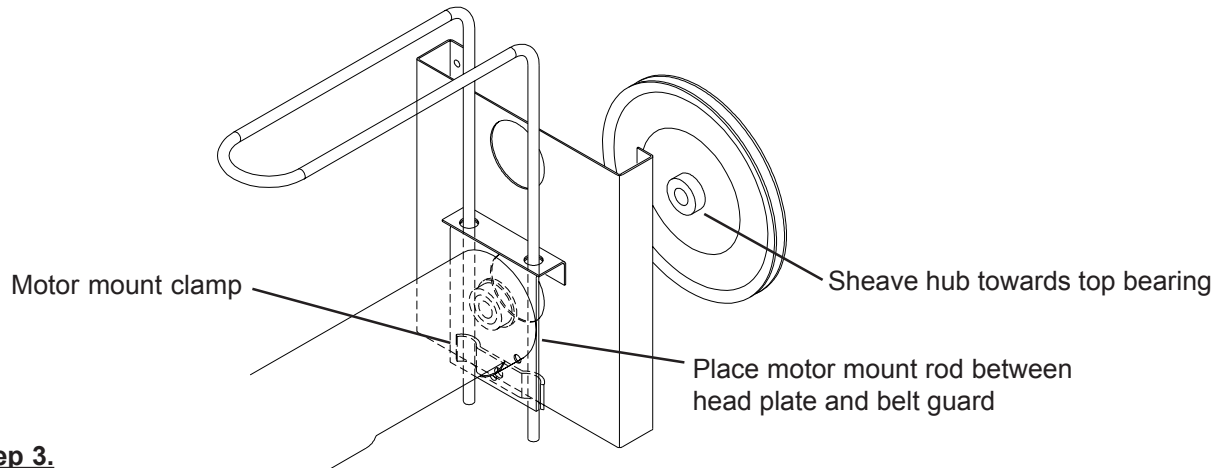
### **Step 1.**

Insert the motor mount rod (part no.108985) down through the holes in the bracket on the back of the belt guard (part no.829986), then on through the holes on the head of the tube assembly. Refer to the illustrated parts drawing. Be sure that the belt guard bracket is on top of the flange of the tube assembly head plate. Also be sure when assembling the motor mount and guard, that the small bolt hole in the back plate of the guard is on the bottom. Insert a 5/16" x 1-1/2" HHCS through the bolt hole in the lower portion of the back plate of the belt guard, then over the threaded end of the bolt, place a 3/8" hex nut (this nut is used as a spacer), and one (1) motor mount clamp (part no.108399), then insert the bolt through the bolt hole in the lower portion of the head plate and secure with a 5/16" hex nut. DO NOT TIGHTEN AT THIS POINT.

## **Assembly Instructions** (continued)

### **Step 2.**

Pull the flighting all the way forward so that the shaft protrudes out through the hole in the belt guard. Slide the 8" sheave (part no.043208) over the flighting shaft with the sheave collar down so it will be against the bearing. Secure with a cotter pin and be sure that the cotter pin is smashed flat so there will be no chance of it hanging up on the belt guard; then push the flighting down in the tube so the sheave makes contact with the bearing. Check the sheave for proper clearances. If the sheave does not have proper clearances, then something is installed wrong. Go back over the assembly instructions and refer to the parts illustrations.



### **Step 3.**

Lay the lower half-band (part no.811257) on top of the motor mount rod so that the studs go through the middle of the two rods, see parts illustrations. Place a motor mount clamp (part no.111229) over each stud and secure with 5/16" hex nuts. Place the motor (part no.027714) in the mount and secure with four (4) 1/4" x 1" HHCS and four (4) 1/4" hex nuts. Install the motor sheave (part no.043844) onto the motor shaft and secure with set screw only. NOTE: The motor is shipped with a nut on the drive shaft. Although this nut is not essential to secure the sheave onto the shaft, if the sheave allows for the use of this nut, it will aid in holding the sheave.

### **Step 4.**

Align the sheave by moving the motor, forward or backward as necessary. Install the v-belt and raise the motor mount until proper v-belt tension is obtained. Then tighten the bolt that clamps the motor mount in place. Place the guard outer panel (part no.158147) on the front of the belt guard and secure with four (4) no.14 sheet metal screws.

### **Step 5.**

Attach the spout (part no.820696) around the discharge opening and secure, using the narrow half-band (part no.108902) and two (2) 1/4" x 1" HHCS and 1/4" hex nuts.

### **Step 7.**

Clamp the two truck stand bands (part no.811133) using four (4) 1/4" x 1" HHCS and 1/4" hex nuts, around the auger tube with the half-band flanges facing down. Between the half-band flanges, install the inner truck stand (part no.811117) using one (1) 3/8" x 5" HHCS and 3/8"lock nut. Slide the inner truck stand tube into the outer truck stand (part no.811125) and secure with a wing bolt (part no.010983). Attach the truck bracket band (part no.811240) around the auger tube toward the tail in relation to the truck stand bands. Assemble the truck stabilizer inner (part no.108555) to the truck stabilizer outer (part no.811075) and install between the truck bracket band and the truck stand band, attach at each end with 5/16" x 1" HHCS and 5/16" nuts. Use the wing bolt (part no.010983) in the outer truck stabilizer to secure stand. Move the truck auger stand on the auger where it accommodates your situation best, but supports the auger adequately. To secure the stand to the sideboards of your truck, use two (2) mounting brackets (part no.811224).

### **Step 8.**

Install the on/off switch (part no.056119) in the handle of the spout assembly. Attach the wires to it (part no.051144). Attach the motor solenoid to the motor mount in a convenient place. Use the wiring diagram on the illustrated parts list to wire.

## MAINTENANCE CHECK LIST

Keep the v-belt adjusted to the point where it does not slip on the sheaves.

DO NOT OPERATE THE AUGER EMPTY.

### INSTRUCTIONS FOR ORDERING REPAIR PARTS

1. Order from your My-D Han-D Distributor or Dealer.
2. Be sure to give part no. and description as it is written in the list accompanying each illustration of parts. (Do not use key number.)
3. Be specific regarding shipping information.
4. Part description tells if more than one of the parts is used.

Because our engineers are constantly improving products, we reserve the right to change design and/or specifications without notice.

### **Limited Warranty**

All My-D Han-D Mfg. Co. Inc. products have been manufactured from the very finest material and by skilled workmen, therefore, My-D Han-D Mfg. Co. Inc. guarantees its products against defective workmanship and material under normal and reasonable use for a period of ONE (1) year, after the date of delivery, to the original purchaser.

This warranty is not a service guarantee, nor is it any assurance that the product is perfectly designed or perfectly built; neither is it an expression of any belief that the product cannot be improved. Further, this warranty is not a guarantee against hazards such as wear, tear, misuse or misfortune or against problems arising from incorrect set-up or servicing and is not a guarantee that the performance will meet the expectations of the purchaser.

This warranty is void should the product be repaired or modified in any way not authorized by My-D Han-D Mfg. Co. Inc.

There is no other express warranty, implied warranties, including those of merchantability and fitness for a particular purpose other than the extent permitted by law and all implied warranties are excluded. This is the exclusive remedy, and liability for consequential damages under any and all warranties are excluded to the extent exclusion is permitted by law.

Components will carry only their respective manufacturer's warranty. This warranty does not cover any merchandise which, in the opinion of the company, has been subject to negligent handling, misuse, or accident.

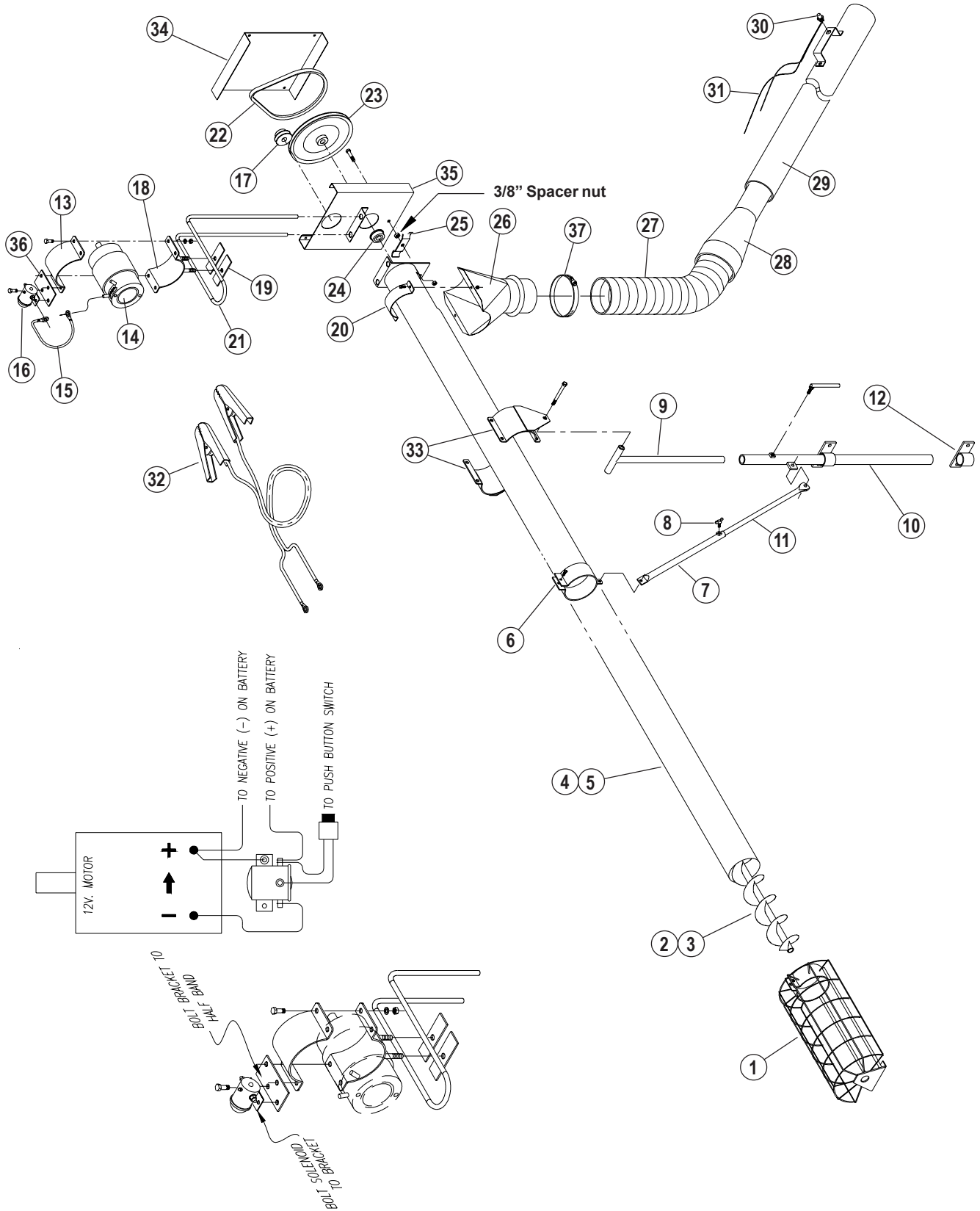
Our obligation under this warranty is limited, however, to furnishing a replacement part for the defective part, or at our option to repairing the defective parts without charge, either method F.O.B. our works, provided the consumer gives My-D Han-D Mfg. Co. Inc. written notice within ten (10) days after said part appears to be defective and affords My-D Han-D Mfg. Co. Inc. opportunity to inspect. Unless otherwise expressly agreed to by My-D Han-D Mfg. Co. Inc. the consumer shall bear the expense of installation.

My-D Han-D Mfg. Co. Inc., reserves the right to make changes, improvements, and modifications at any time without incurring the obligation to make such changes, improvements, and modification on any products sold previously.

My-D Han-D Mfg. Co. Inc. will not be responsible or liable in any event for any loss of production, profits, downtime, delays, accidents, or expenses, or for any other special, indirect or consequential damages.

**MY-D HAN-D MFG. CO. INC.  
10881 McARTOR ROAD  
Dodge City, Kansas 67801**

**(620) 225-0263**



Item No.	Part No.	Description	Qty.
1	829994	Safety Cage	1
2	811349	Flighting Weldment (16')	1
3	811356	Flighting Weldment (11')	1
4	899013	Tube Bundle (16')	1
5	899005	Tube Bundle (11 ')	1
6	811240	Truck Bracket Band	1
7	811075	Truck Stand Stabilizer (Outer)	2
8	010983	Wing Bolt	1
9	811117	Truck Stand -Inner	1
10	811125	Truck Stand-Outer	1
11	108555	Truck Stand Stabilizer (Inner)	2
12	811224	Mounting Bracket	1
13	108829	Half-band- Upper	1
14	027714	12-Volt Motor	1
15	051128	#4ga. Cable w/ #5 Terminals	1
16	163824	12-Volt Solenoid	1
17	043844	1-A 2" x .672" Sheave	1
18	811257	Half-band - Lower	2
19	111229	Motor Mount Strap (Flat)	2
20	108902	Narrow Half-band	1
21	108985	Motor Mount Rod	1
22	035261	V-Belt 2280	1
23	043208	1-A 8" x 5/8" Sheave	1
24	030296	5/8" Bearing	1
25	108399	Motor Mount Clamp	1
26	820696	Swivel Boot (Only)	1
27	000562	Tapered Flex Tube	1
28	811273	Inner Spout	1
29	811265	Spout Extension	1
30	056119	Starter Button (2C-11500-AI)	1
31	051144	Electric Wiring (18-2 x 17')	1
32	051045	Battery Lead (30' Long)	1
33	811133	Truck Stand Band	2
34	158147	Belt Guard - Outer Panel	1
35	829986	Belt Guard - Inner Panel	1
36	108894	Solenoid Mount	1
37	012161	4" Hose Clamp	1